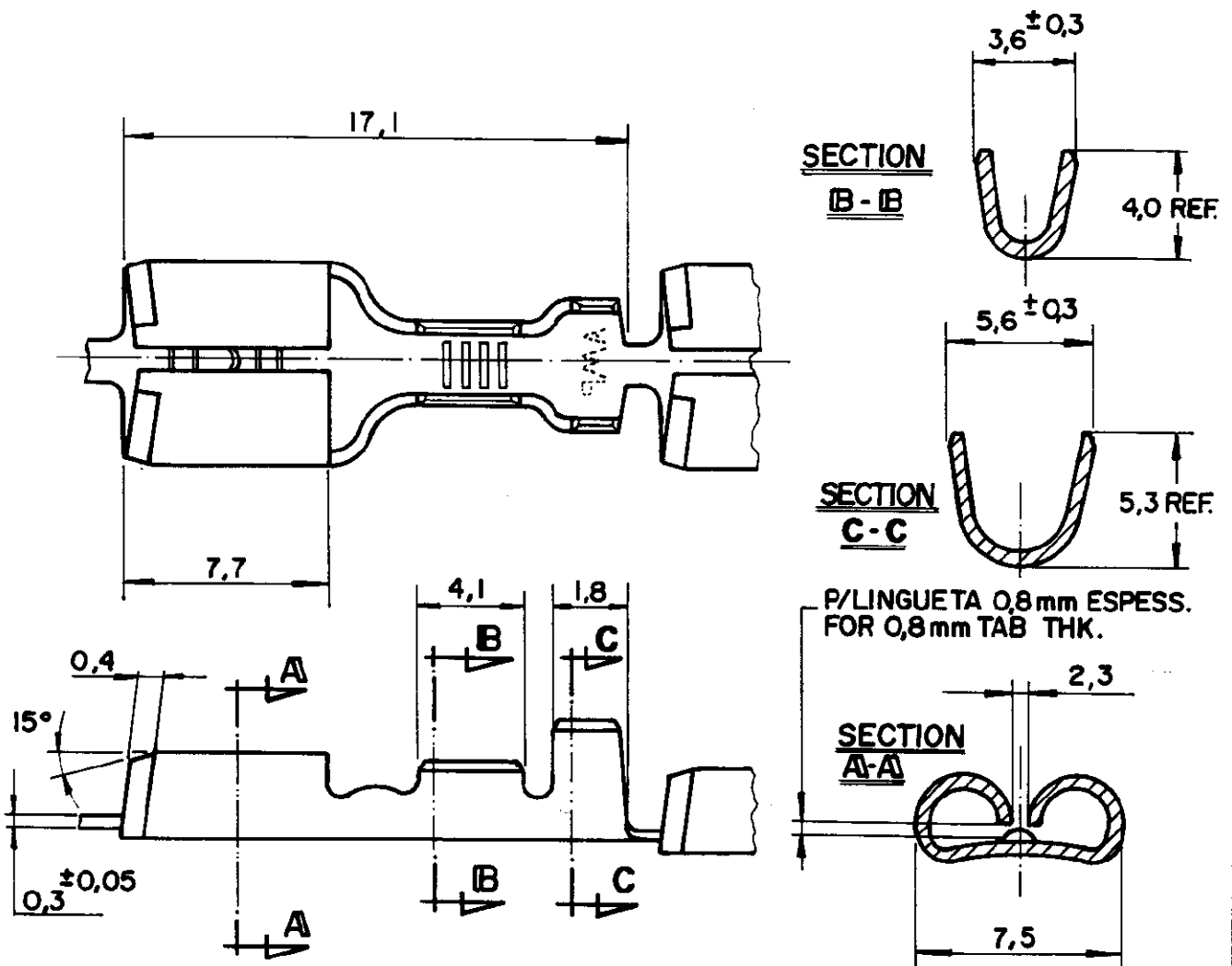


LOC	DIST	REVISIONS					
AP	-	F	LTR	DESCRIPTION	DATE	DWN	APVD
			C	REDRAW WITHOUT MODIFICATIONS	15DEC99	H.C	M.M



ESTANHADO/TIN PLATED	BRONZE FOSF./PH.BRONZE	880045-4
NÚ/NONE	BRONZE FOSF./PH.BRONZE	880045-3
ESTANHADO/TIN PLATED	LATÃO/BRASS	880045-2
NÚ/NONE	LATÃO/BRASS	880045-1
<b>FINISH</b>	<b>MATERIAL</b>	<b>PART NUMBER</b>

RELEASED FOR PUBLICATION

THIS DRAWING IS UNPUBLISHED.

ALL RIGHTS RESERVED.  
BY AMP INCORPORATED.  
COPYRIGHT 19

DIMENSIONS: mm	DWN H. CANTERI 15DEC99	MATERIAL SEE TABLE	FINISH SEE TABLE
TOLERANCES UNLESS OTHERWISE SPECIFIED:	CHK M. MIRANDA 15DEC99	<b>AMP</b> AMP do Brasil LTDA. São Paulo, Brasil	
0 PLC ±	APVD H. B. VASCONCELLOS 15DEC99		
1 PLC ±0.3	WIRE RANGE 1,0-2,5mm <sup>2</sup>	NAME .250 SERIES FASTON RECEPT.	
2 PLC ±	INSUL. RANGE 3,0-4,0mm	SIZE A4	CAGE CODE 00779
3 PLC ±	WEIGHT —	DRAWING NO C=	880045
4 PLC ±	CUSTOMER DRAWING	RESTRICTED TO —	SCALE —
ANGLES ±°		SHEET 1	OF 1
		REV C	